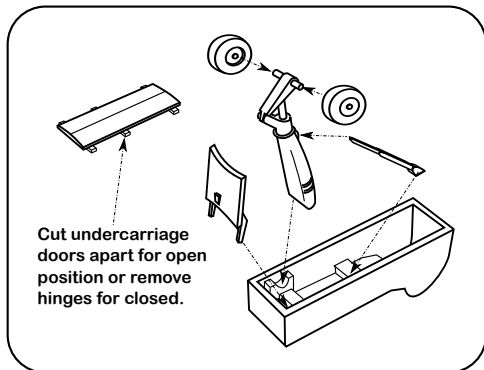
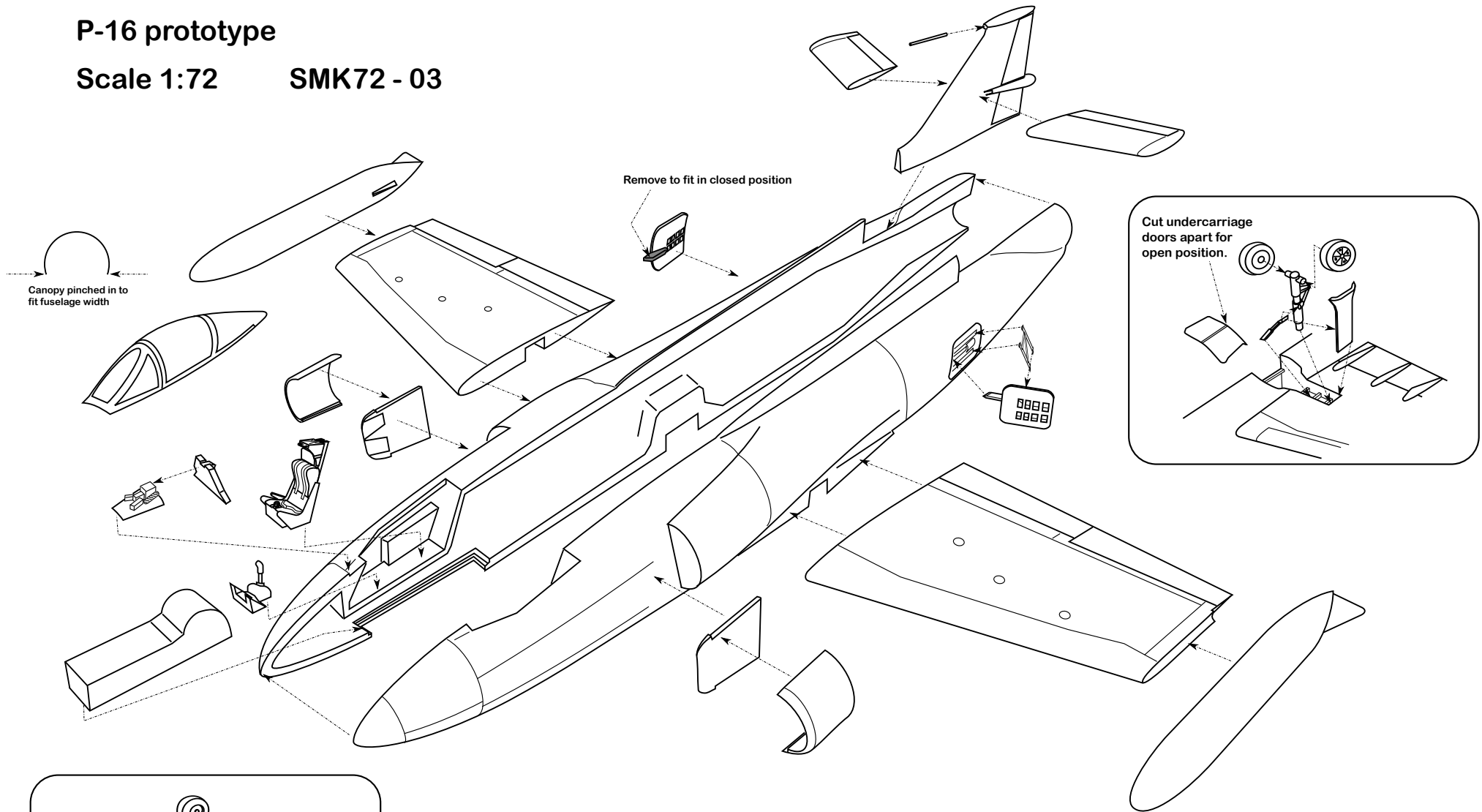


# P-16 prototype

Scale 1:72

SMK72 - 03



# S&M Models

A Magda Ltd Product  
Suite 2, Global House, Poyle Road, Colnbrook  
Berkshire SL3 0AY United Kingdom

Note 1. Take care as several parts are handed.

Note 2. Clean and test fit all parts before final assembly. Use cyanoacrylate glue ("Super Glue") for resin parts.

Note 3. Wear a suitable mask when sanding or sawing resin parts.